

PLEASE CHECK WWW.MOLEX.COM FOR LATEST PART INFORMATION

Part Number: [0357302900](#)
Status: **Active**
Description: 3.56mm (.140") Diameter Pin Receptacle Terminal, Brass, 0.35mm (.138") Thickness, Wire Range 14-20 AWG (2.00-0.52mm²), Unplated

Documents:

[Drawing \(PDF\)](#) [RoHS Certificate of Compliance \(PDF\)](#)
[Product Specification PS-35730-001 \(PDF\)](#)

General

Product Family	Crimp Terminals
Series	35730
Crimp Quality Equipment	Yes
Product Name	N/A

Physical

Gender	Female
Material - Metal	Brass
Material - Plating Mating	Unplated
Packaging Type	Reel
Termination Interface: Style	Crimp or Compression
Wire Insulation Diameter	3.50mm (.138") max.
Wire Size AWG	14, 16, 18, 20
Wire Size mm ²	N/A

Material Info

Reference - Drawing Numbers

Product Specification	PS-35730-001
Sales Drawing	SD-35730-29*0

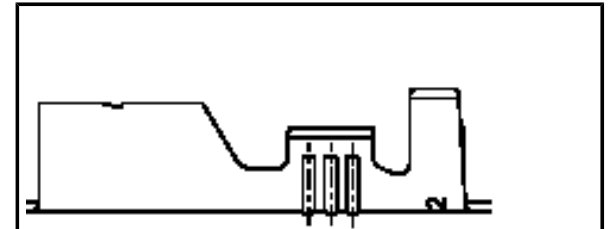


image - Reference only

Series

EU RoHS

ELV and RoHS Compliant
REACH SVHC Contains SVHC: No
Halogen-Free Status
Halogen-Free

China RoHS



Need more information on product environmental compliance?

Email productcompliance@molex.com
 For a multiple part number RoHS Certificate of Compliance, [click here](#)

Please visit the [Contact Us](#) section for any non-product compliance questions.

Search Parts in this Series

35730Series

Mates With

35730-28x0

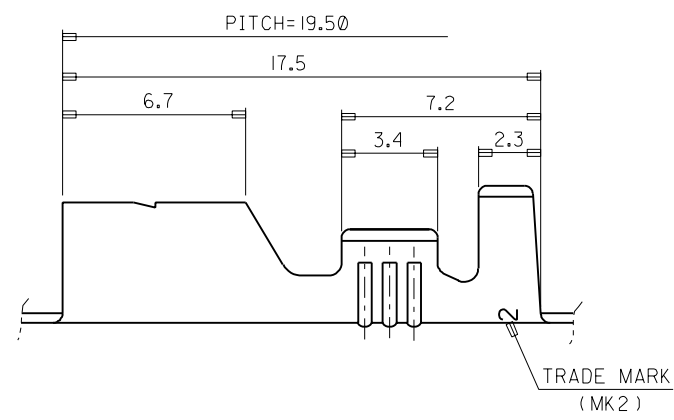
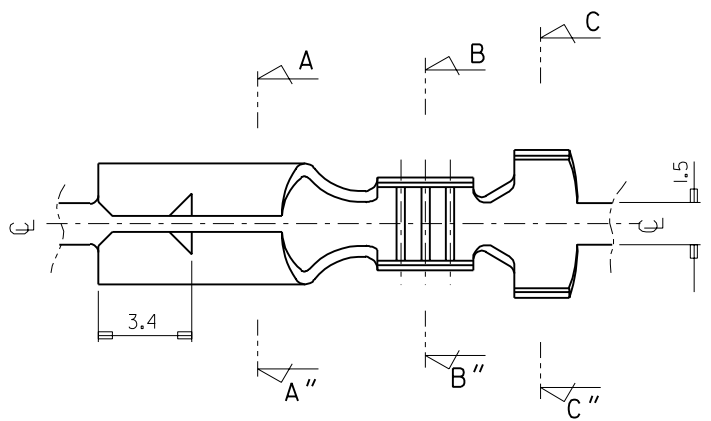
DO NOT SCALE DRAWING DIMENSION IN METRIC

PROJECT NO. $\varnothing 3.56$ PIN REC'

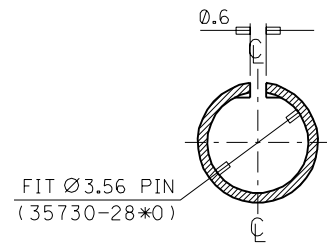
SIMILAR ITEM

EDP NO.

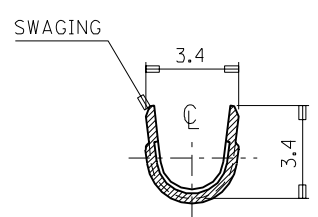
ENG. NO. SD 35730-29*0



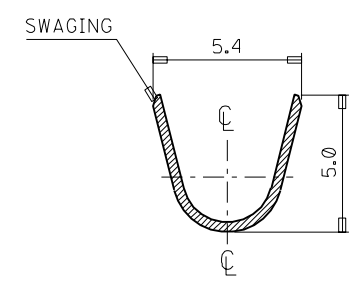
- NOTES
- MAT'L : BRASS , 0.35mm THICKNESS
 - FINISH : 35730-2900(UNPLATED)
35730-2910(POST-TIN PLATED)
35730-2940(TIN-LEAD PLATING)
 - RECOMMENDED LENGTH OF WIRE STRIP IS 4.7-5.3



SEC' : A-A''



SEC' : B-B''



SEC' : C-C''

ASS'Y PART		QTY/REEL OR PACK	SURFACE AREA	MATERIAL	SEE NOTES	WIRE RANGE	GENERAL TOLERANCES	MOLEX MOLEX-KOREA CO.,LTD.
DESCRIPTION	ENG.NO.	7,000 Q'TY /REEL	MM ²	DIMENSION CLASSIFICATION		#20-#14	DIM. : *0.30	
		DIE NO. / / /	LAYOUT NO. / / /	<input checked="" type="checkbox"/> : CRITICAL <input checked="" type="checkbox"/> : MAJOR <input type="checkbox"/> : MINOR () : REFERENCE		0.5-2.0	ANGLE : *0.20	
B	REVISED	93-025	93-11-1	WIRE CRIMP WIDTH	INS. CRIMP WIDTH	INSULATION RANGE	TITLE: $\varnothing 3.56$ PIN RECEPTACLE	1 of 1
A	CAD REDRAWING		93.6.15	WBDW / / /	IBDW / / /	$\varnothing 3.5$ MAX.	ENG.NO. SD 35730-29*0	REV B
LTR	REVISION RECORD	ECN	DR/CHK	DATE	DIE FEED	APPL FEED		